



TRIPLE PLAY PROFESSIONAL MOUND CLAY

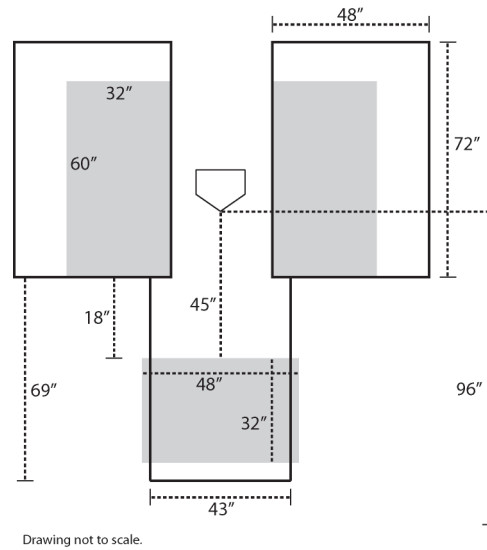
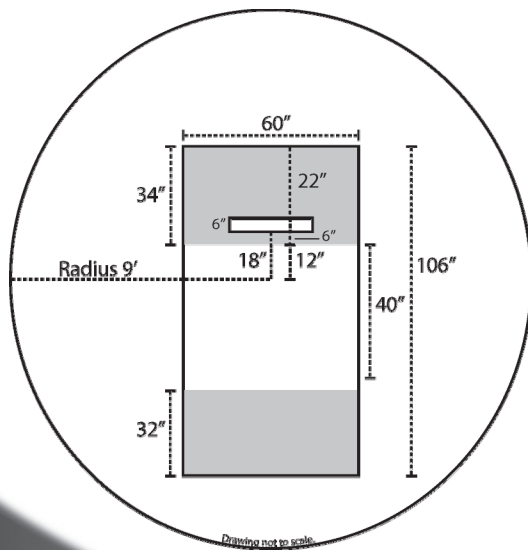
Triple Play Professional Mound Clay™ is a unique blend of high-quality clays that have been specifically designed to withstand the stress of high traffic areas, such as your pitcher's mound. Dark red in color, this product will add durability and strength to your soil, easily bind and conform to existing surfaces, and enhance your mound's level of play.

Triple Play Professional Mound Clay™ gives high stress areas the professional look and durability that players and coaches require. Though it has been designed to meet performance standards of Professionals, Triple Play Mound Clay easily tamps into holes, provides greater durability, and reduces maintenance for all levels of play. It is exceptional when used to repair, rebuild, and construct your field's pitcher's mound, batter's boxes, and catcher's box. It can also be used to firm up the high stress areas of your infield.

Specifications: 64 pounds per cubic foot (Dry) = 1.15 Yards:1 Ton
 79 pounds per cubic foot (Wet) = 1 Yard:1.05 Ton
 1 Bag = 50 lbs = .78 Cubic Foot

Availability: **Bags**—50 lbs. each, 40 bags per Pallet
Bulk—5, 10, 15, 24 and 30 Ton Bulk Truckloads

Coverage Rates: 1 Bag = 9.25 sq ft at 1" deep
 2.70 Cubic Yards (2.35 tons) will cover 1000 sq. ft 1" deep.



ENVIROTECH SOIL SOLUTIONS, INC.
 TF 800.546.3722 | FX 503.723.9715

GSERRILL@AXISPLAYBALL.COM | WWW.AXISPLAYBALL.COM

EnviroTech
 Soil Solutions, Inc.